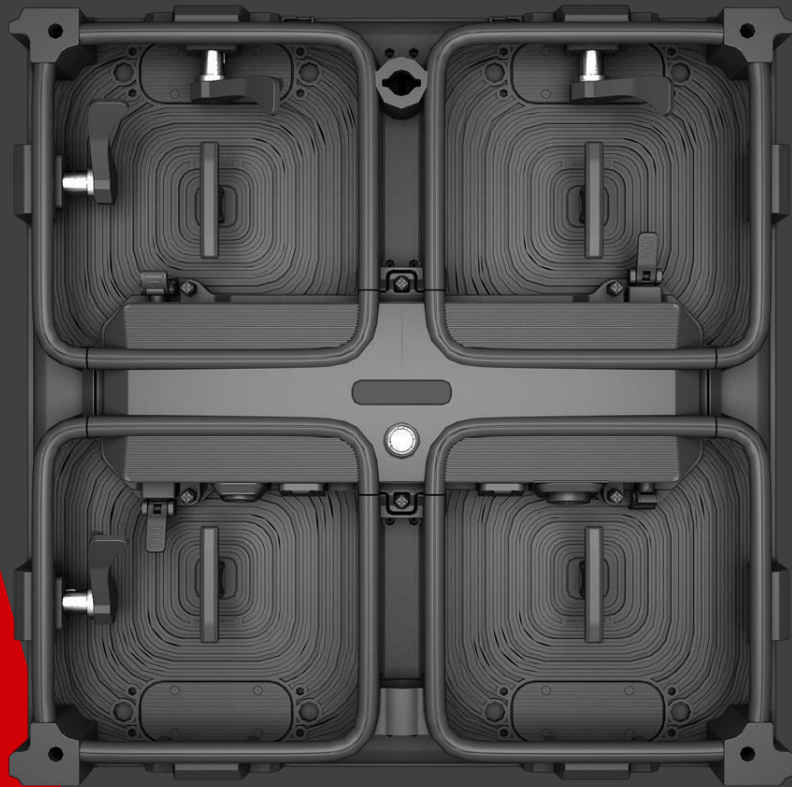




AM II SERIES



Indoor and Outdoor

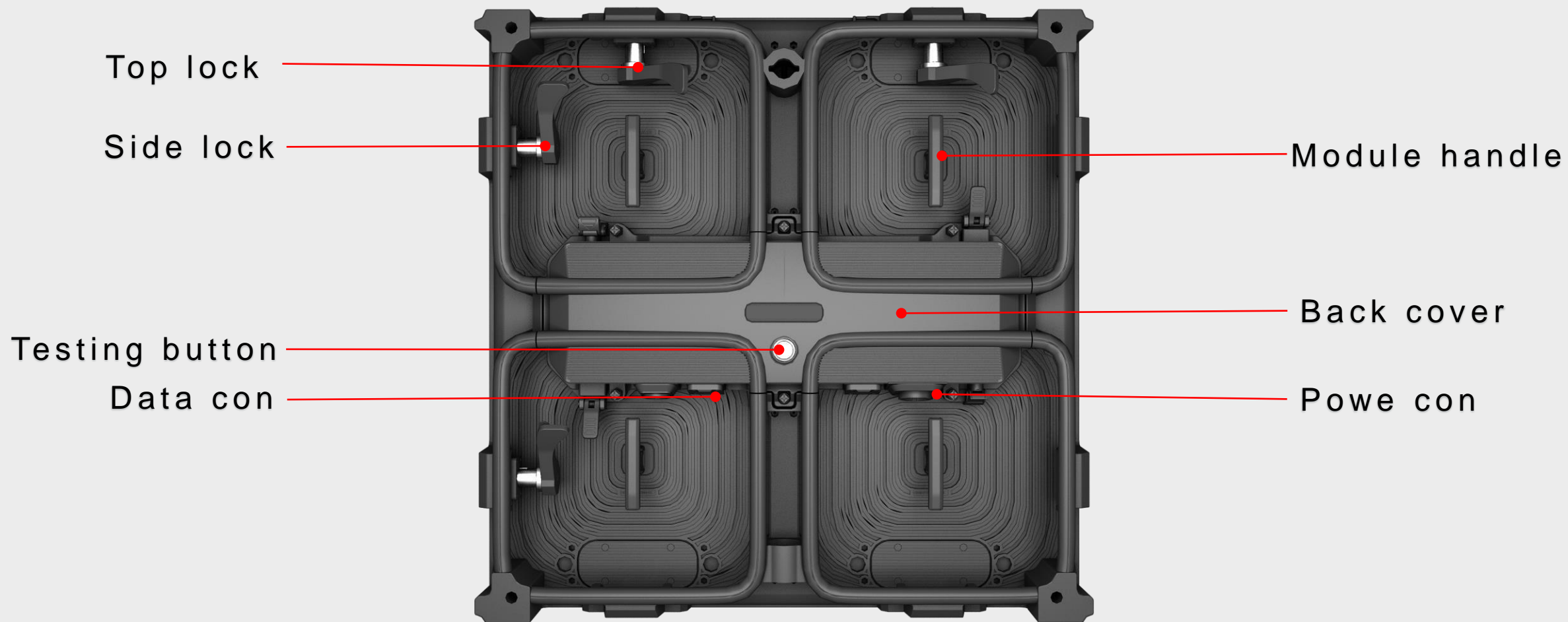
Classic upgrade

Innovative design

AM II SERIES

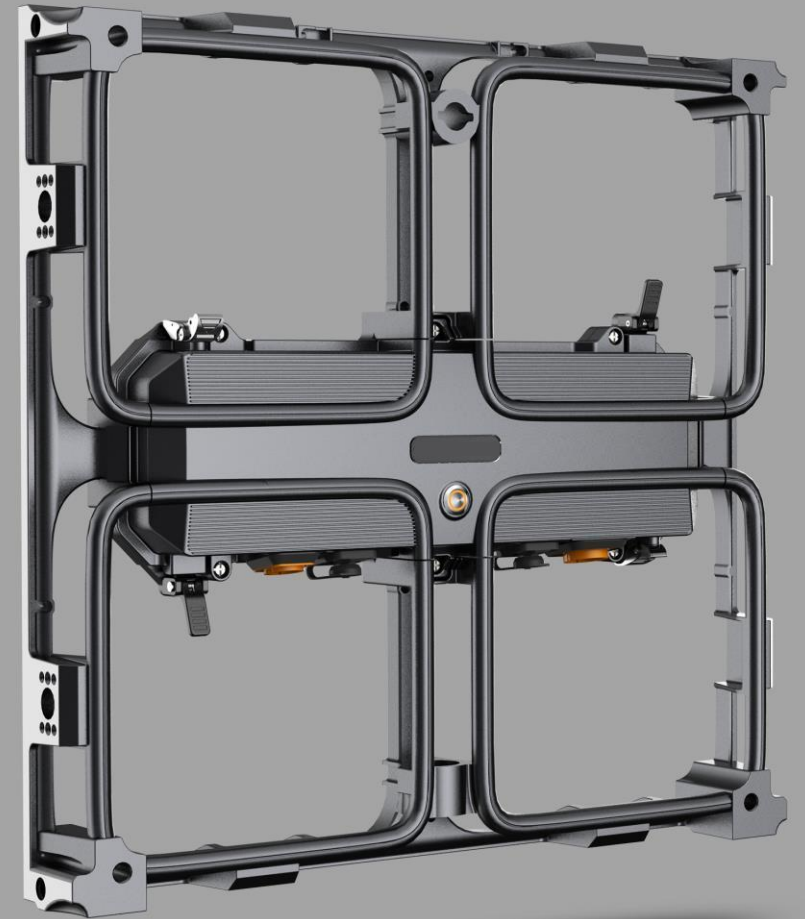
- Pixel pitch : 3.91mm
- LED : SMD1921
- Pixel Density : 65536pixel/m²
- Brightness: 3000-5000nit
- Refresh Rate: 1920Hz/3840Hz
- IP Rating : Front IP65,Rear IP54
- Usage : Outdoor and indoor





LIGHT

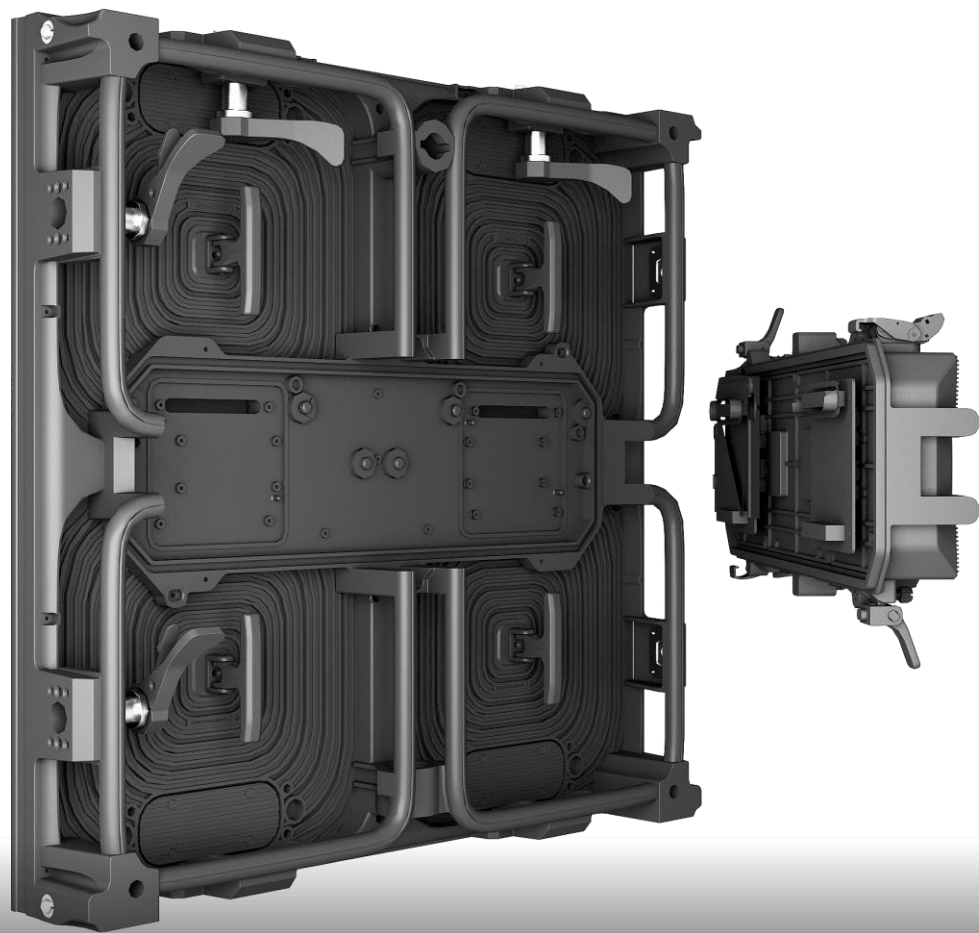
- aluminum alloy
- Light weight
- high strength
- durable



NEW DESIGN

Beautiful and practical



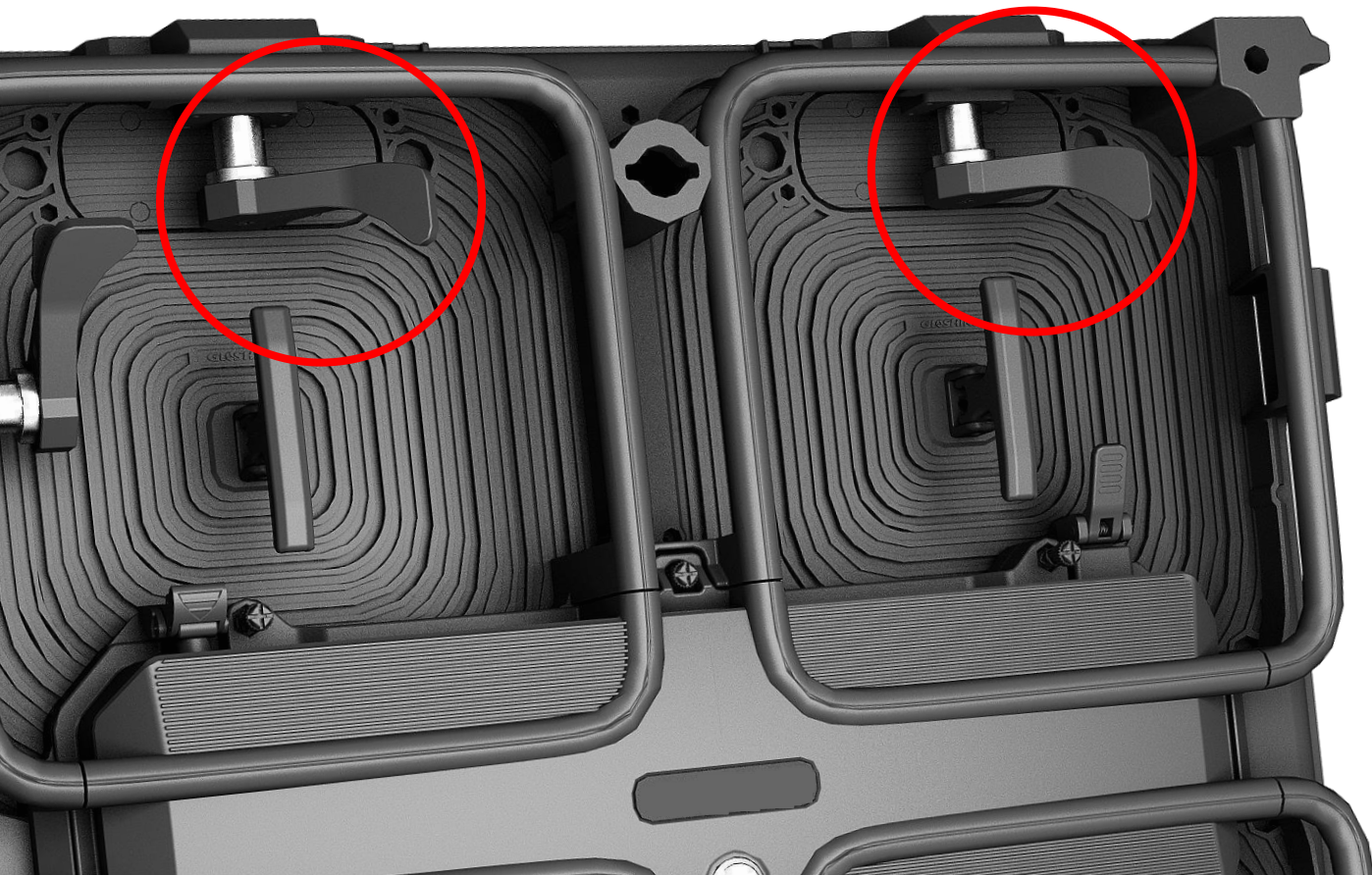


MODULAR DESIGN



SIDE LOCK

Closely connect the left and right cabinet



TWO TOP LOCKS

tight connection



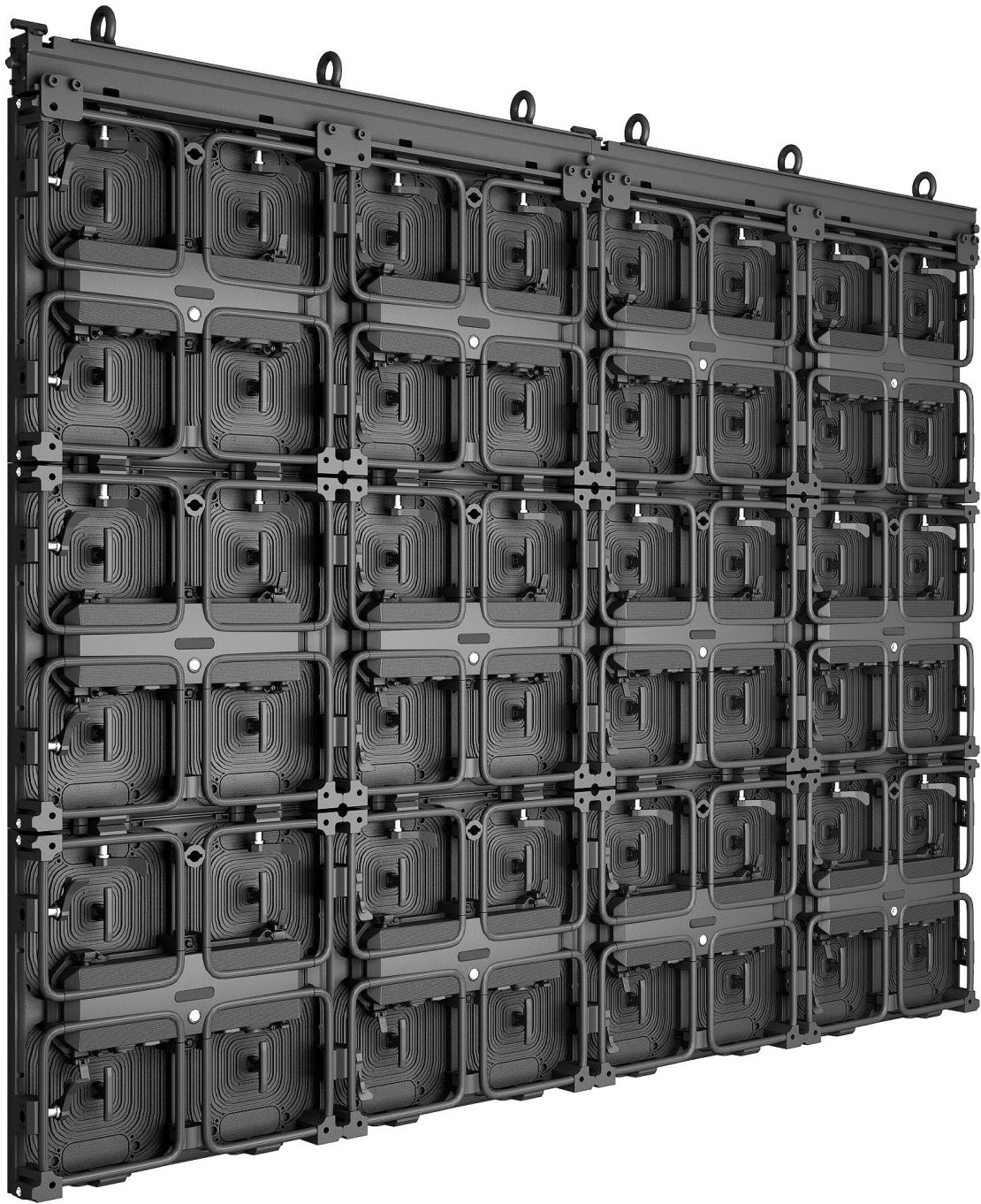
AM II Straight cabinet



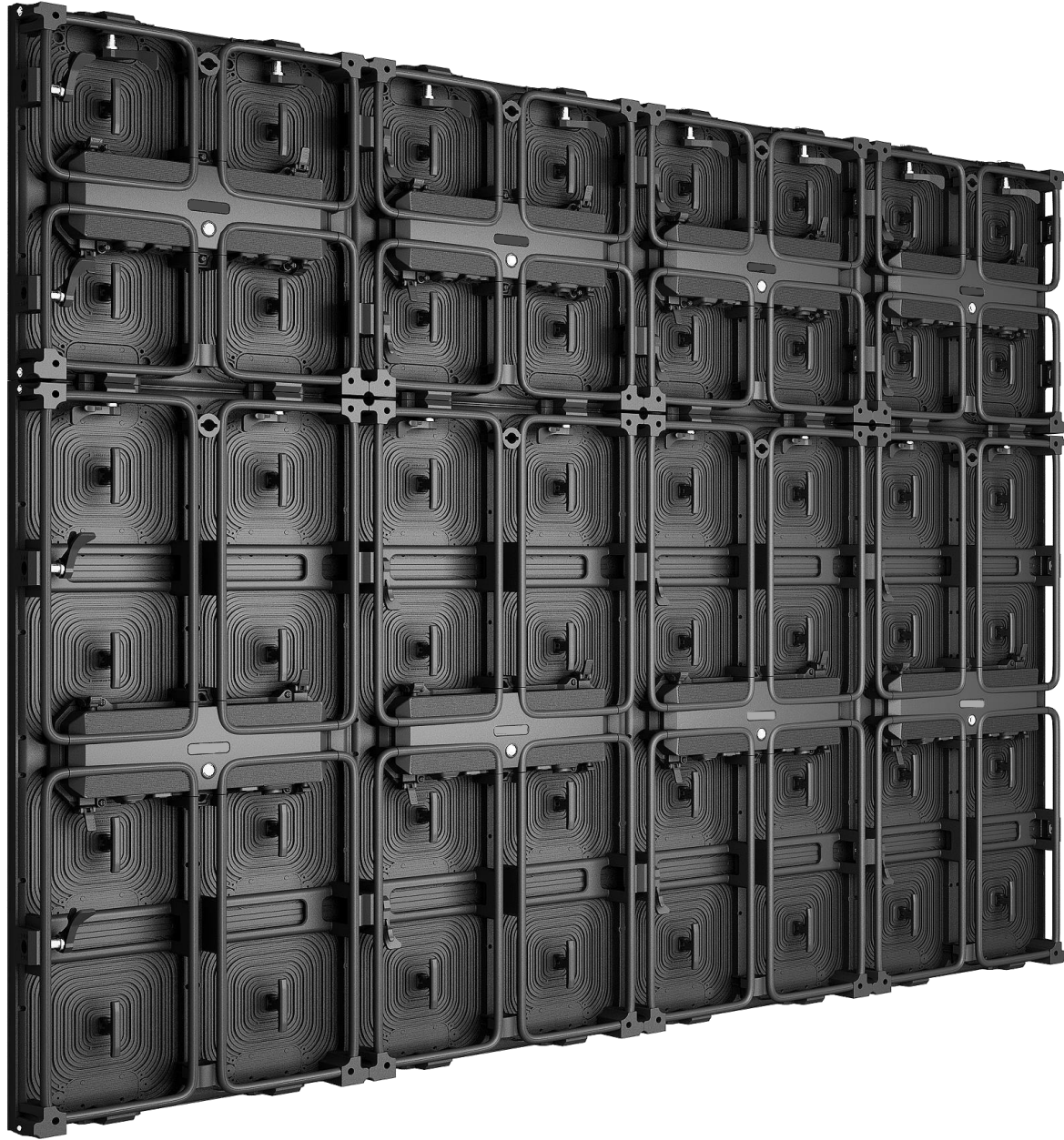
AM II Curved cabinet



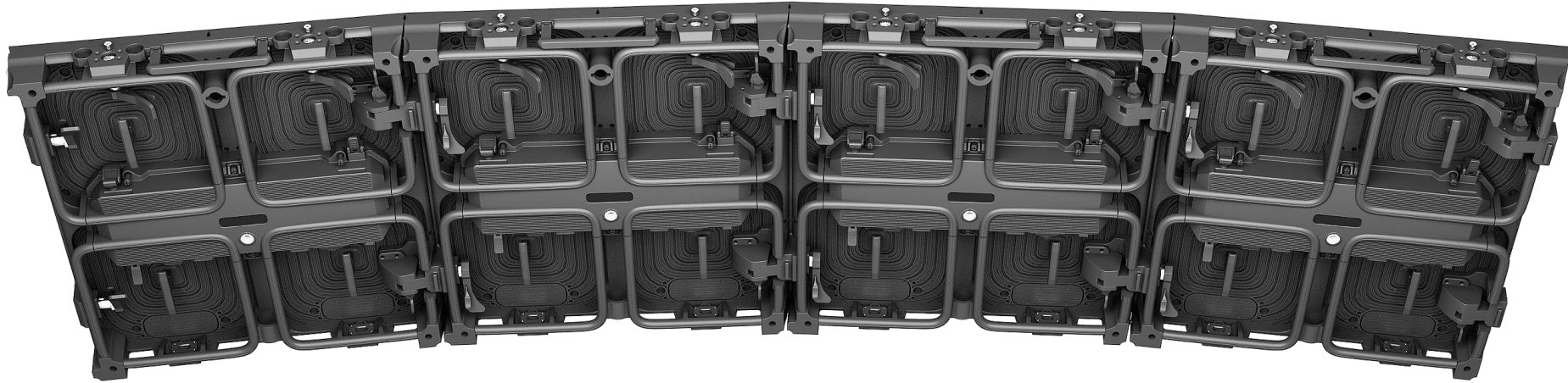
AM II 45° cabinet



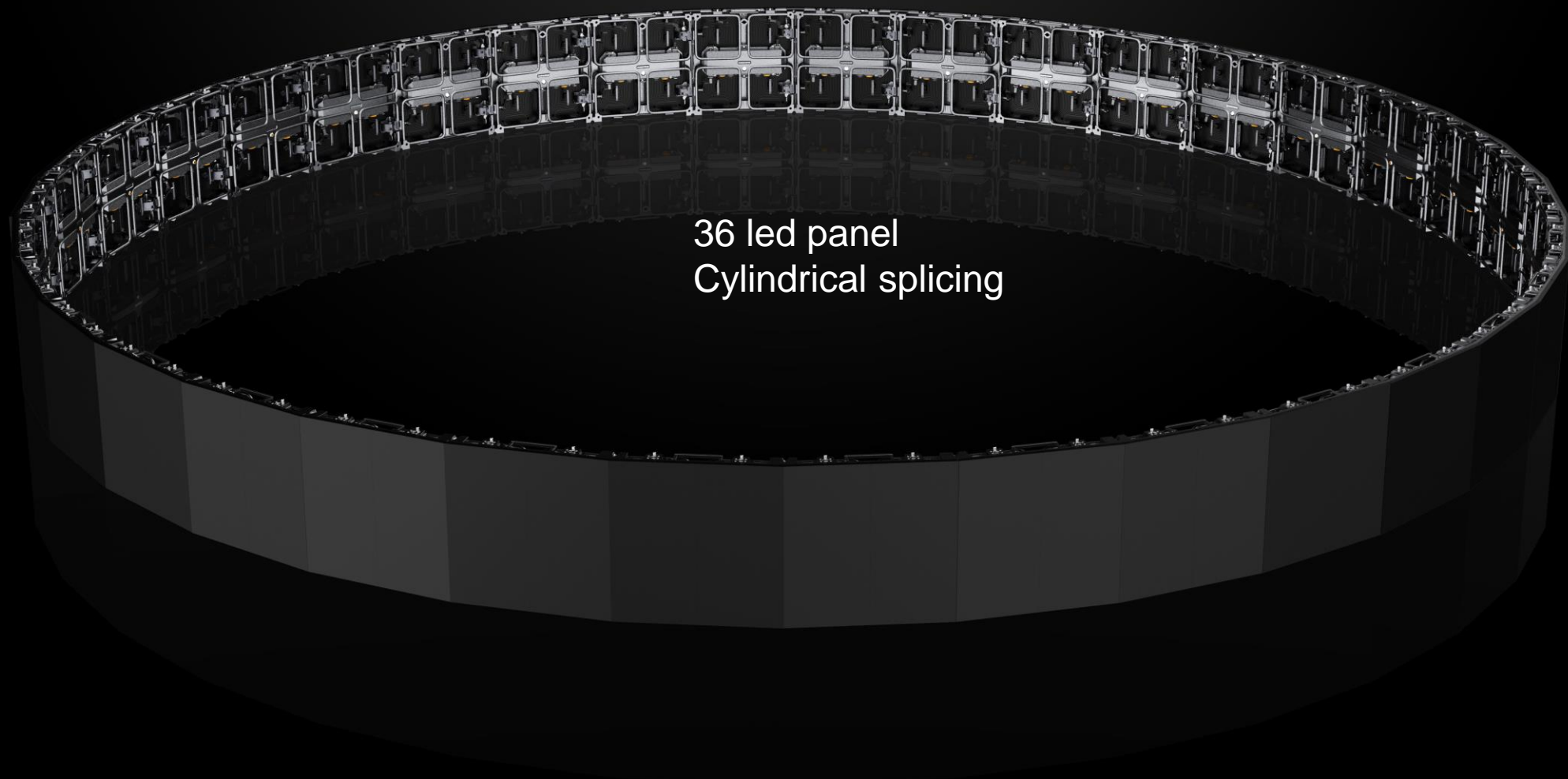
**Straight
cabinet**



ASII & AMII MIXED INSTALLATION



Curved cabinet: can be curved from $0 \sim \pm 10^\circ$



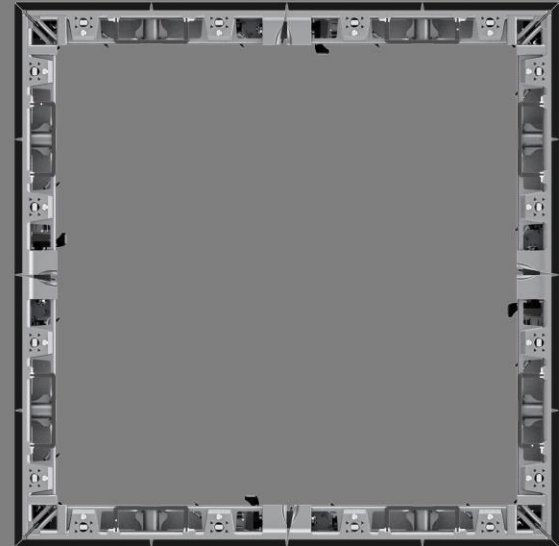
36 led panel
Cylindrical splicing

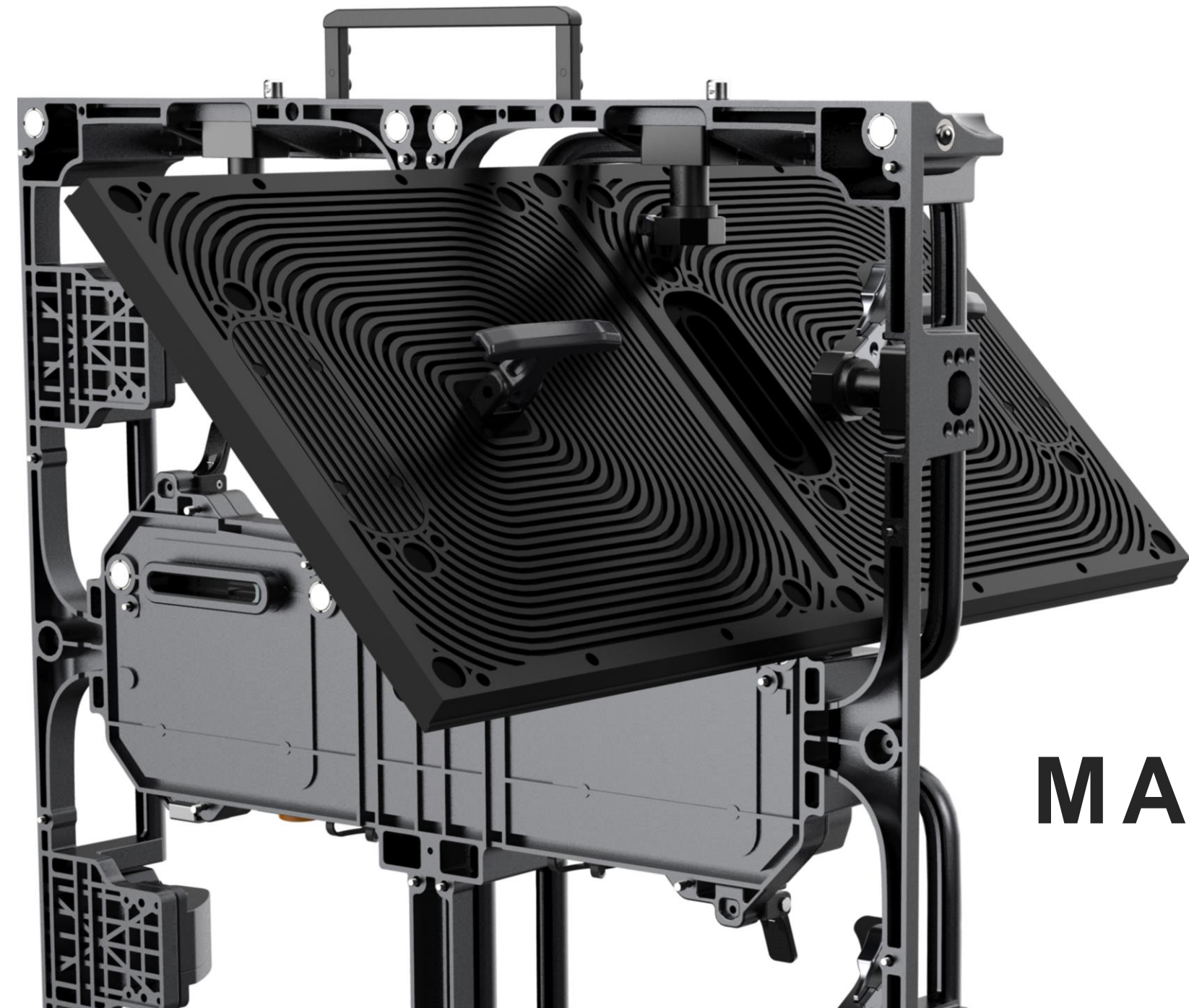


45° cabinet : can make 90 °angle



45° cabinet : can make square shape





**REAR
MAINTENANCE**



GROUND SUPPORT

max 10m



HANGING SYSTEM

Max 10m

Model No.	AM II 3.91	AM II 4.81	AS II 3.91	AS II 4.81
Pixel Pitch	3.91mm	4.81mm	3.91mm	4.81mm
LED Type	SMD1921			
Pixel Density	65536 pixel/m ²	43264 pixel/m ²	65536 pixel/m ²	43264 pixel/m ²
Brightness	3500~5000nits			
Color Temperature	6500~9500k			
Scan Rate	1/16	1/13	1/16	1/13
Panel Dimension(W*H*D)	500mm*500mm*80mm/19.7"*19.7"*3.1"		500mm*1000mm*80mm/19.7"*39.4"*3.1"	
Panel Resolution	128*128 pixel	104*104 pixel	128*256 pixel	104*208 pixel
Panel Weight	9.5KG(20.9lb)±10%		14KG(30.9lb)±10%	
Cabinet Material	Die-casting Cabinet			
Max Power Consumption	≤720w/m ²			
Ave Power Consumption	≤360w/m ²			
Viewing Angle	H:140° V:120°			
Refresh Rate	1920Hz/3840Hz			
Gray Scale	14~16bit			
Working Voltage	AC100-240V~ 50/60Hz or AC200-240V~ 50/60Hz (two choose one)			
IP Rating	FrontIP65, rearIP54			
Curve	Optional			
Max Stacking/Hanging	10m			
Lifetime	50,000h			
Operating Temp/Humidity	-20°C~+45°C; 10%~90%RH			
Storage Temp/Humidity	-40°C~+60°C; 10%~60%RH			

THANKS



Web: www.kmtekled.com

Mail: info@kmtekled.com sales@kmtekled.com

Tel: 0086-755-27648736

Fax: 0086-755-27648736

Address: 4th Building, The 2nd industry Park Of Nangang. Songbai Rd 1026, Xili, Nanshan, Shenzhen, China - Postcode:518055

